

Capacities/Dimensions

Snow Tank

Actual Volume	2.83 m ³ (100 cu. ft.)
Compacted	3.54 m ³ (125 cu. ft.)
Excess Water	416 L (110 USG, 92 IMP)

Water

Ice Making	727 L (192 USG, 160 IMP)
Wash Water	273 L (72 USG, 60 IMP)
Total	1000 L (264 USG, 220 IMP)

Hydraulic Oil	95 L (25 USG, 21 IMP)
---------------	-----------------------

Conveyor System

Horizontal Auger	25.4 cm (10 in.) dia.
Vertical Auger	25.4 cm (10 in.) dia.

Overall Length

Snow Tank Down	4.04 m (159 in.)
Snow Tank Up	5.03 m (198 in.)

Overall Height

Snow Tank Down	2.16 m (85 in.)
Snow Tank Up	3.91 m (154 in.)

Overall Width	2.13 m (84 in.)
---------------	-----------------

Wheelbase	1.95 m (77 in.)
-----------	-----------------

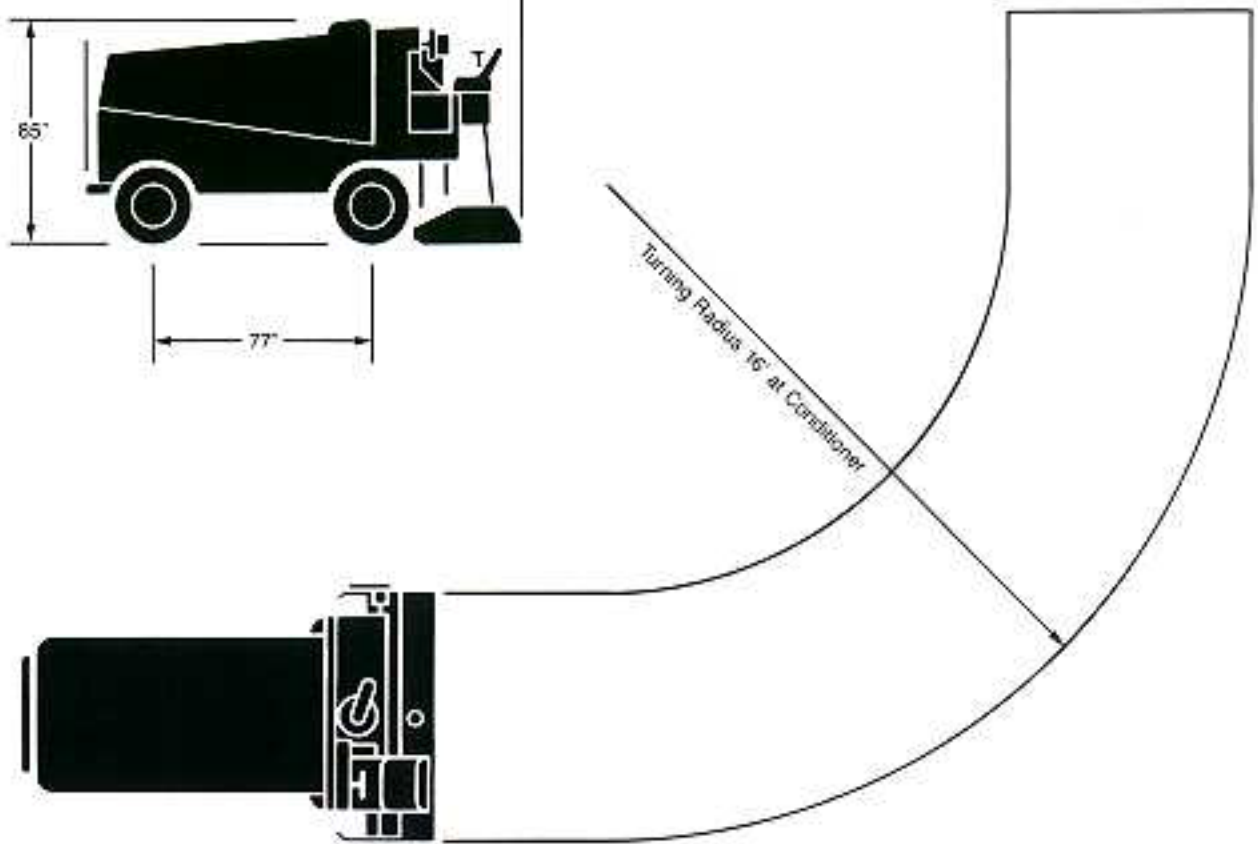
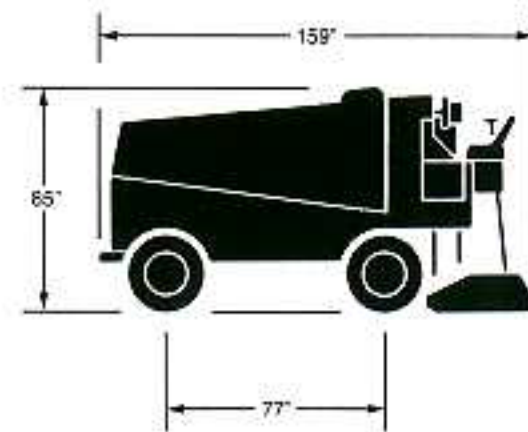
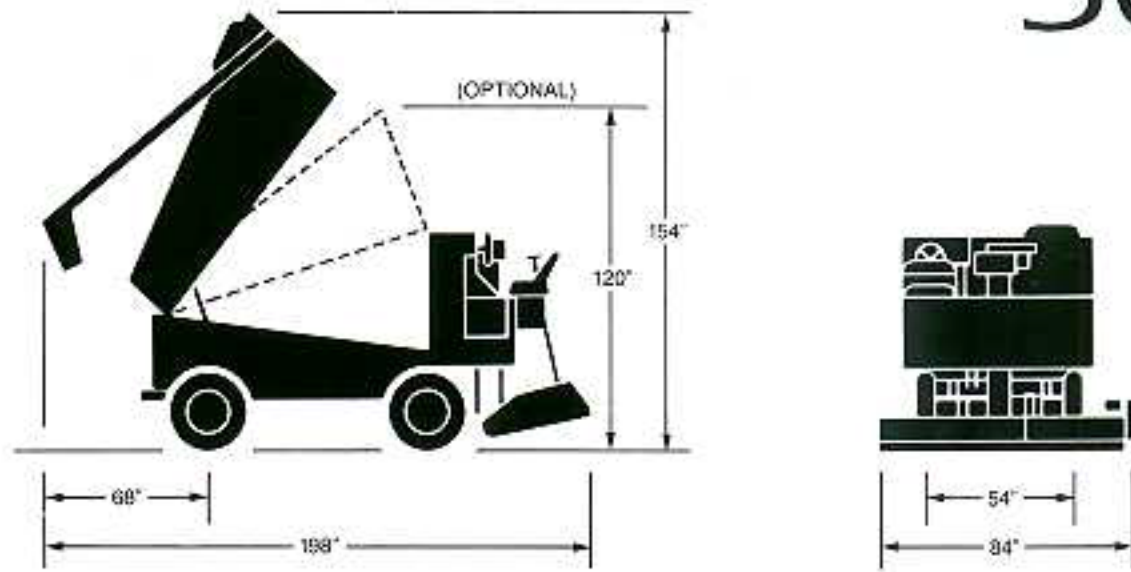
Wheel Track	1.37 m (54 in.)
-------------	-----------------

Turning Radius At Conditioner	4.86 m (16 ft.)
----------------------------------	-----------------

Shaving Blade	1.27 x 12.7 x 195.6 cm 1/2" x 5" x 77"
---------------	---

Vehicle Weight

Empty	2939 kg (6480 lb.)
w/Water	3937 kg (8680 lb.)



Store Room/Facilities

Adequate ventilation of any engine emissions must be provided in the storage room and the ice rink(s). The storage room should be heated and have adequate floor drainage. The room should be located close to an end of the ice surface(s) to minimize turning and ramps, and include outdoor access for snow dumping and machine/building maintenance. All doors should be minimum of 2.74 m (9 ft.) wide by 2.74 m (9 ft.) high. Dimensions of the room should include a minimum 1.22 m (4 ft.) clearance on all sides of the machine. A snow melting pit should be capable of processing 3.54 m³ (125 cu. ft.) of snow per hour, per ice surface. Ice making water requirements are approximately 757 L (200 USG, 167 IMP) per hour, per ice surface. Most operators, especially in cold climates, use hot water for their ice making that is heated to 60° to 71°C (140° to 160°F).

This brochure has been prepared only as a general guide to the customer. Every effort has been made to insure that all information is correct at the time of printing. Zamboni reserves the right to change prices, colors, materials, specifications and models. Some features described, or shown, may be optional at extra cost. Some options are required in combination with other options.

ZAMBONI®

Distributed by:

Everything Ice™

www.everything-ice.com
888-543-0921 814-487-6056

